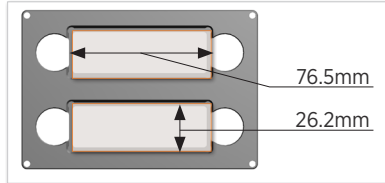




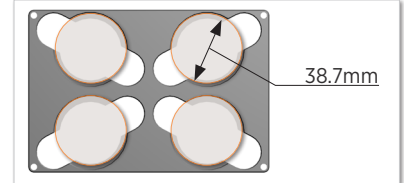
VESSEL HOLDERS & STAGE PLATES

for **EVOS[®]** Digital Inverted Microscopes

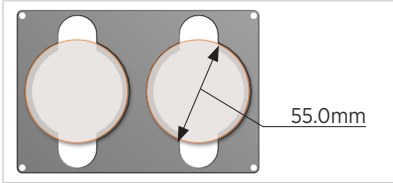
AMEP-VH001 holds **two 25mm x 75mm** standard microscope slides, chamber slides, etc.



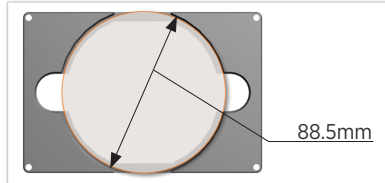
AMEP-VH002 holds **four 35mm Petri dishes**



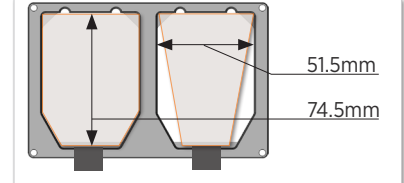
AMEP-VH003 holds **two 60mm Petri dishes**



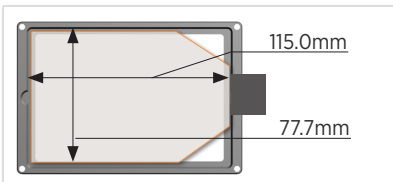
AMEP-VH004 holds **one 100mm Petri dish**



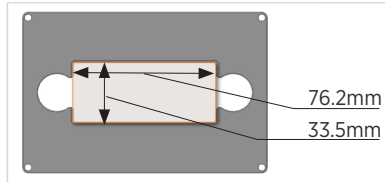
AMEP-VH005 holds **two 25cm² flasks;** rectangular or triangular



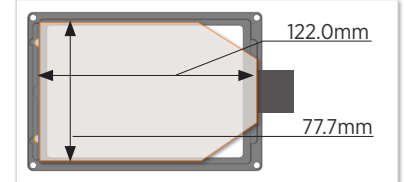
AMEP-VH006 holds **one Nunc T-75 flask; 75cm²**



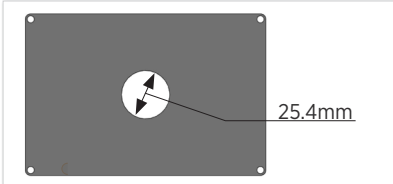
AMEP-VH007 holds **one Hemocytometer**



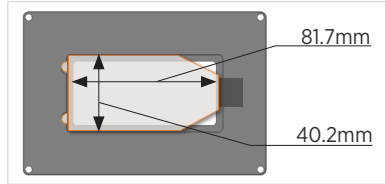
AMEP-VH008 holds **one Greiner T-75 flask; 75cm²**



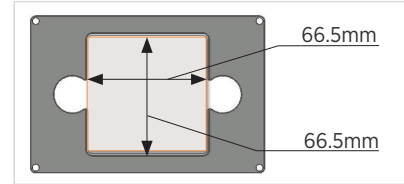
AMEP-VH009 **Universal stage insert**



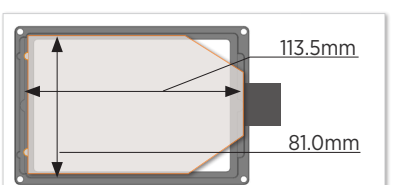
AMEP-VH010 holds **one BD/Greiner T-25 flask; 25cm²**



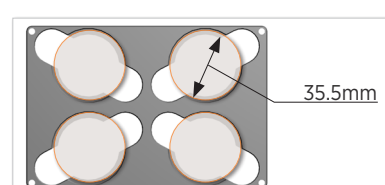
AMEP-VH011 holds **one NUNC/SPL IVF 4-well dish**



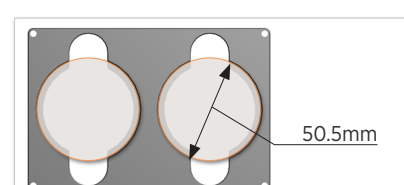
AMEP-VH012 holds **one SPL T-75 flask; 75cm²**



AMEP-VH013 holds **four Ibidi 35mm Petri dishes**



AMEP-VH014 holds **two Ibidi 50mm Petri dishes**

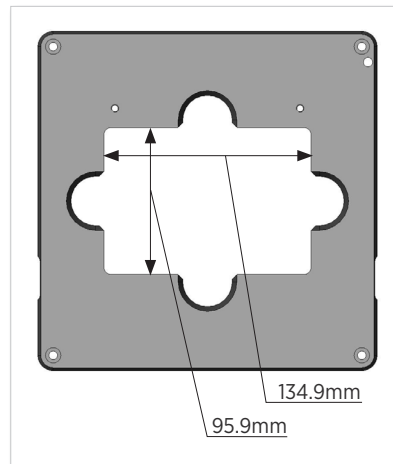




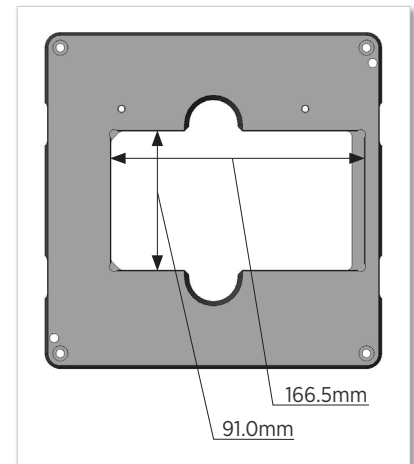
VESSEL HOLDERS & STAGE PLATES

for **EVOS**[®] Digital Inverted Microscopes

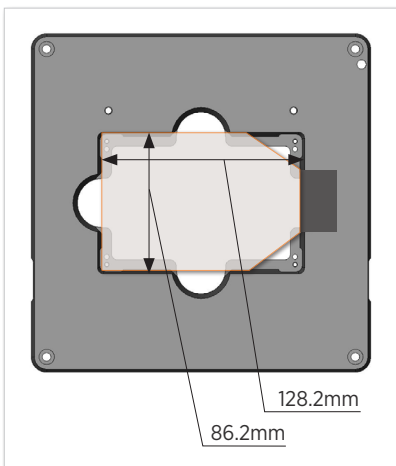
AMEP-4684
Stage Plate for **heating tray**,
Tokai Hit Cat. No. MATS-UAXKW-D



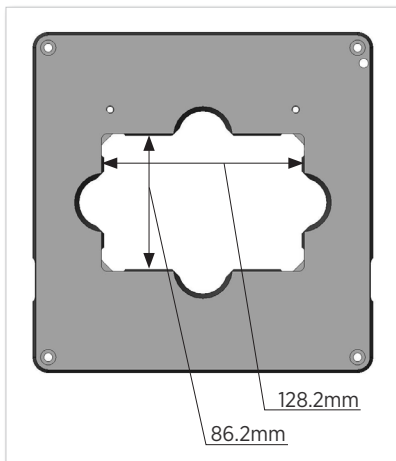
AMEP-4865
Stage Plate for **heating stage**,
BioFlux by Fluxion



AMEP-4686
Stage Plate for **multi-well vessels**;
also holds **one Corning T-75 flask**



AMEP-4687
Stage Plate for **multi-well vessels**;
allows maximum objective clearance



EVOS VESSEL HOLDERS & STAGE PLATES

AMEP-VH001	Holds two 25mm x 75mm slides
AMEP-VH002	Holds four 35mm Petri dishes
AMEP-VH003	Holds two 60mm Petri dishes
AMEP-VH004	Holds one 100mm Petri dish
AMEP-VH005	Holds two 25cm² T-flasks (rectangular or triangular)
AMEP-VH006	Holds one Nunc T-75 flask
AMEP-VH007	Holds one Hemocytometer
AMEP-VH008	Holds one Greiner T-75 flask
AMEP-VH009	Holds all vessel types (plain-stage functionality)
AMEP-VH010	Holds one 25cm² BD or Griener T-25 flask
AMEP-VH011	Holds one NUNC/SPL IVF 4-well dish
AMEP-VH012	Holds one SPL T-75 flask
AMEP-VH013	Holds four Ibidi 35mm Petri dishes
AMEP-VH014	Holds two Ibidi 50mm Petri dishes
AMEP-4684	Stage Plate for heating tray , Tokai Hit Cat. No. MATS-UAXKW-D
AMEP-4685	Stage Plate for heating stage , BioFlux by Fluxion
AMEP-4686	Stage Plate for multi-well vessels ; also holds one Corning T-75 flask
AMEP-4687	Stage Plate for multi-well vessels ; allows maximum objective clearance

Doc Control Number ZP-PKG-0408 REV C © 2010 Advanced Microscopy Group, Inc. All rights reserved.